

# A Flexible Broiler for High Volume Locations

The **Nieco's JF74** dual belt broiler is the highest capacity electric broiler that features **BroilVection™** technology. The JF74 is designed to cook multiple products simultaneously, searing in char broiled flavor and adding the surface grill marks desired by your customer. This energy efficient unit is both simple to operate and easy to maintain. Nieco's **BroilVection™** technology combines radiant reflective and convective heat to produce consistent results and reduce operating costs.

## BENEFITS

- Delicious Charbroiled Flavor and Color
- Energy Savings
- Less Kitchen Heat
- No Burner Replacement
- Easy to Operate and Maintain
- Faster Speed of Service

## FEATURES

- Automatic Stack Feeder
- Patented **BroilVection™** Technology
- Multi Product Control
- Compact Design
- Brushless DC **BroilVection™** Fan and DC Drive Motors
- Digital Controls
- Dual 13 Inch Belts
- Warming Element
- Loads Pans Directly

## OPTIONS

- Domestic or Export Electric
- Push Bar or Wire Belt Automatic Feeder(s)

## ACCESSORIES

- Incendalyst™ – Emission Control Catalyst
- Spare Parts Kit
- Stainless Steel Stand with Locking Casters
- Quick Disconnect Gas Hose



# NIECO JF74

**PERFECT FOR:**  
High-capacity  
kitchens in need  
of multi-product  
broiling.

# NIECO JF74



APPROVALS



Intertek



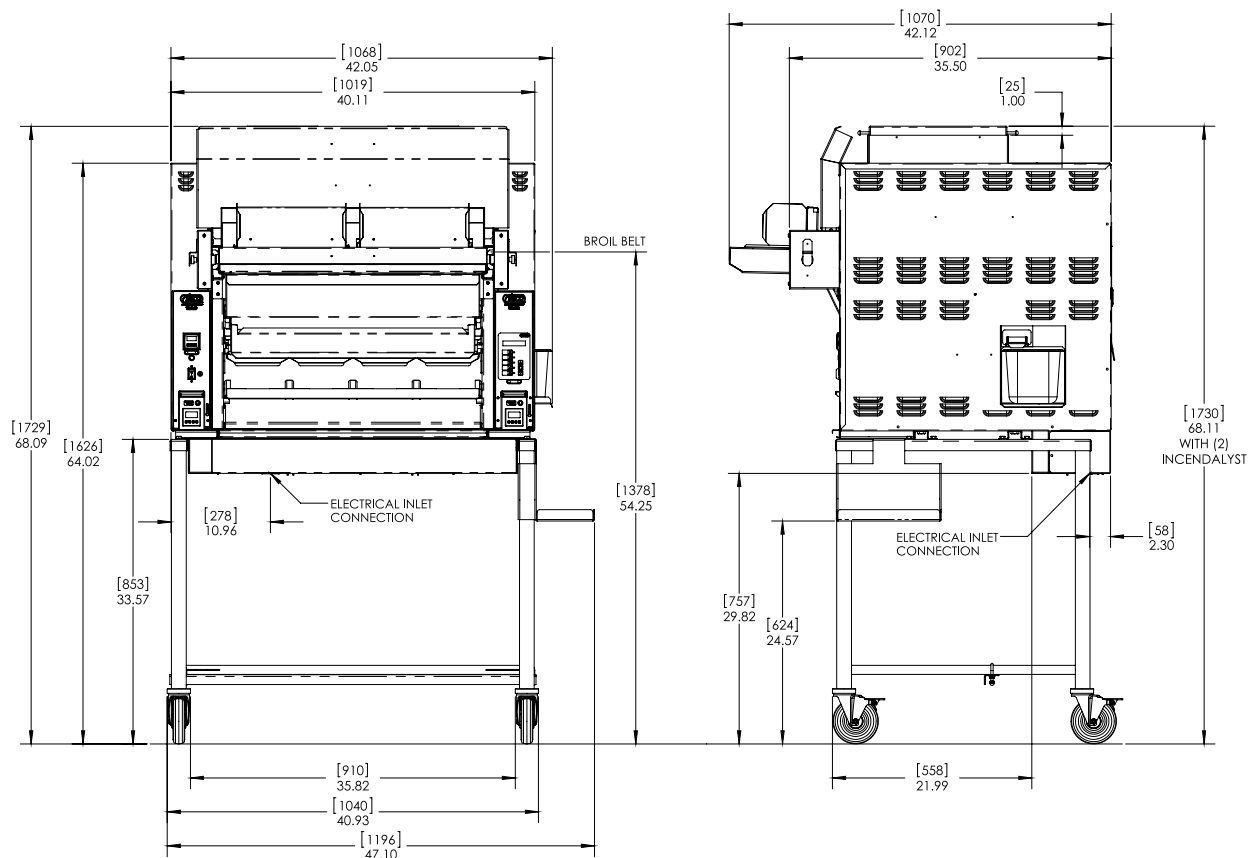
## DIMENSIONS

	Inches	mm
Length	42.12	1070
Height	68.11	1730 (with Incendalyst™)
Width	42.05	1068 (with Stand)

## ENERGY (FACTORY RATED)

### Electric Models:

- Domestic or Export Electric: 200-230V 3Ø, 53A, 50/60Hz
- Export CE Electric: 380-415V, 3Ø 31A or 230V, 3Ø, 53A, 50/60Hz
- Connected: 19kW
- Average Consumption: 16kW



## WARRANTY

One year parts and labor.

All Nieco equipment is backed by a worldwide sales and service network, with local parts inventories and 24 hour emergency service.

Call us today at **800-643-2656** or e-mail us at **sales@nieco.com**