

# Great Taste for Smaller Kitchens

The **Nieco JF62C** is a fully automatic two lane single belt broiler featuring the new, patented **BroilVection™** hybrid broiling technology. The compact size of the JF62C was developed with the low volume and kiosk locations in mind.

## You'll Enjoy:

- Serving customers juicy, seared, flame broiled perfection every time.
- Reliable long-lasting equipment – no burners to replace.
- Big savings on your energy bill thanks to our new energy-efficient **BroilVection™** technology.

## FEATURES

- Patented **BroilVection™** Technology
- Multi-Product Control
- Compact Design
- Loads Pans Directly
- Brushless DC **BroilVection™** Fan and DC Drive Motors
- Available with Push Bar or Wire Belt Feeder

## OPTIONS

- Domestic or Export Electric
- Return Flow or Flow Through Design

## ACCESSORIES

- Incendalyst™ – Emission Control Catalyst
- Spare Parts Kit
- Quick Disconnect Gas Hose
- Stainless Steel Stand with Locking Casters



# NIECO JF62C

PERFECT FOR:  
Kiosks, smaller  
kitchens in  
need of  
lower-volume  
broiling.



# NIECO JF62C



## APPROVALS



Intertek



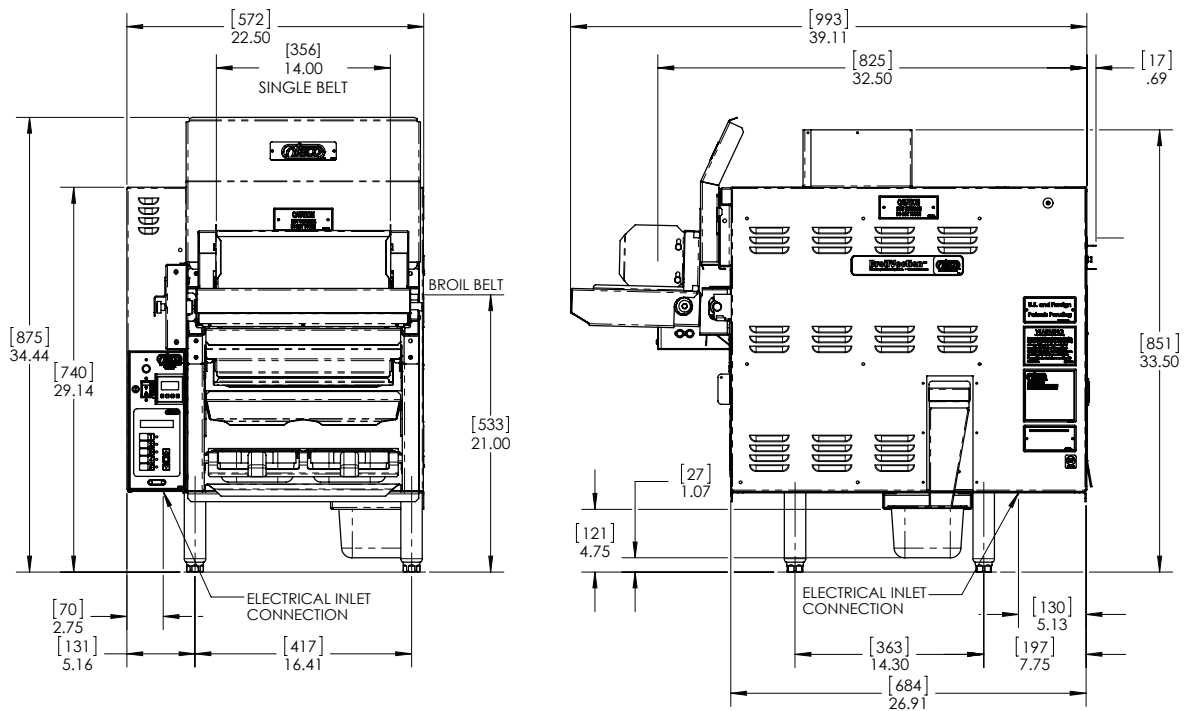
## DIMENSIONS

	Inches	mm
Length	39.11	993
Height	34.44	875
Width	22.50	572

## ENERGY (FACTORY RATED)

### Electric Models:

- Domestic/Export: 208-220V, 3Ø, 25A, 10kW
- Export: 380-400V, 3Ø, 13A, 10kW +N



## WARRANTY

One year parts and labor.

All Nieco equipment is backed by a worldwide sales and service network, with local parts inventories and 24 hour emergency service.

Call us today at **800-643-2656** or e-mail us at **sales@nieco.com**