

The Ex6225: ExVection the world's fastest forced air toaster.

The **Ex6225 ExVection™** produces superior toasting in record-setting time by converting the waste heat from the toaster to forced convection.

A rapid top-side toast ensures buns and even bagels are ready in under 15 seconds. For two-sided products like sliced bread, run through a cycle on both sides in succession to achieve the desired result in far less time, for any product, than a radiant-only or contact toaster.

FEATURES

- High speed – toast bagels to a perfect golden brown in under 15 seconds, saving minutes in the kitchen per ticket
- Precision controls for perfect toast settings
- Pre-programmed buttons allow ease of operation with preset settings for up to six different products
- No quartz glass elements (longer life and fewer parts for replacement)
- Sturdy, all stainless steel construction is durable and easy to clean



NIECO Ex6225

Ex6225

DIMENSIONS

	Inches	mm
Length	23.70	602
Height	17.01	431
Width	18.50	469

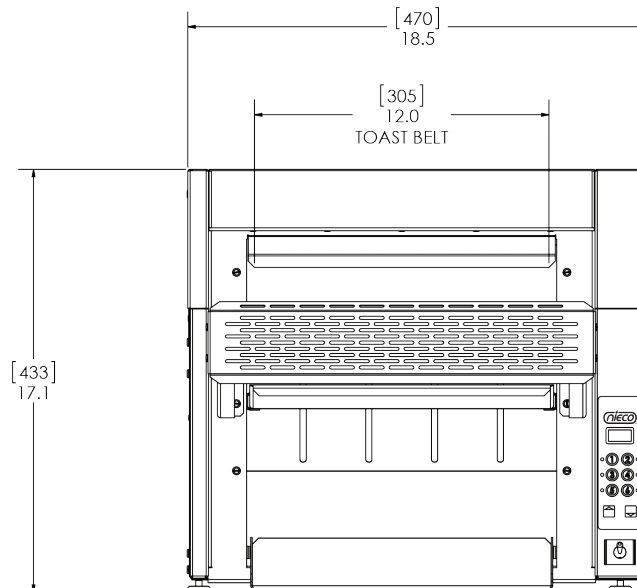
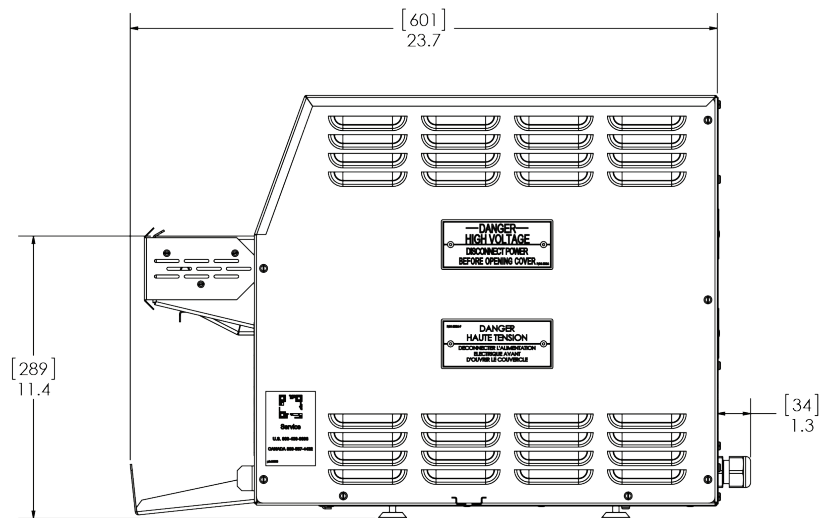
Shipping Weight: 95 LBS, 43KG

Counter Weight: 75 LBS, 34 KG

ELECTRICAL CONNECTION

220V 16A 1Ø

Supplied with NEMA 6-30P, 30A, 250V 6' Power Plug



APPROVALS



WARRANTY

One year parts, 30 days labor. Contact us for details.

All Nieco equipment is backed by a worldwide sales and service network, with local parts inventories and 24 hour emergency service.

Call us today at **800-643-2656** or e-mail us at **sales@nieco.com**