

Great Taste for Smaller Kitchens

The **Nieco JF62C** is a fully automatic two lane single belt broiler featuring the new, patented **BroilVection™** hybrid broiling technology. The compact size of the JF62C was developed with the low volume and kiosk locations in mind.

You'll Enjoy:

- Serving customers juicy, seared, flame broiled perfection every time.
- Reliable long-lasting equipment – no burners to replace.
- Big savings on your energy bill thanks to our new energy-efficient **BroilVection™** technology.

FEATURES

- Patented **BroilVection™** Technology
- Multi-Product Control
- Compact Design
- Loads Pans Directly
- Brushless DC **BroilVection™** Fan and DC Drive Motors
- Available with Push Bar or Wire Belt Feeder

OPTIONS

- Available in Natural Gas, Propane or Electric
- Return Flow or Flow Through Design

ACCESSORIES

- Incendalyst™ – Emission Control Catalyst
- Spare Parts Kit
- Quick Disconnect Gas Hose
- Stainless Steel Stand with Locking Casters



NIECO JF62C

PERFECT FOR:
Kiosks, smaller
kitchens in
need of
lower-volume
broiling.



NIECO JF62C



APPROVALS



Intertek



DIMENSIONS

	Inches	mm
Length	39.11	993
Height	34.44	875
Width	22.50	572

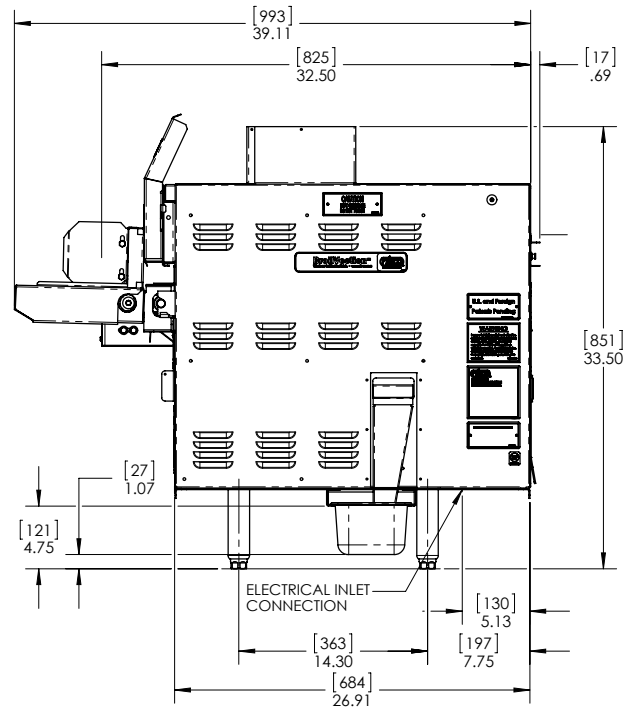
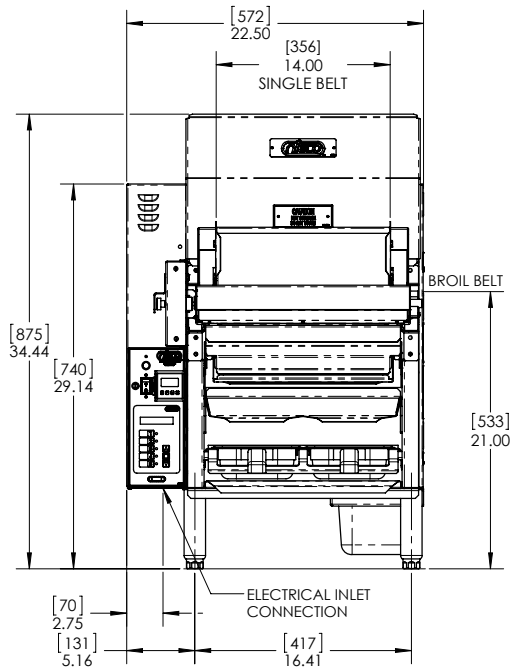
ENERGY (FACTORY RATED)

Gas Models:

- Natural Gas or LP
- Connected: 37,000 BTU/hour
- Connection Size: ¾" NPT
- Electric Connection Domestic: 120V, 4A, 1Ø
- Electric Connection Export: 220V, 2 A, 1Ø

Electric Models:

- Domestic/Export: 208-220V, 3Ø, 25A, 10kW
- Export: 380-400V, 3Ø, 13A, 10kW +N



WARRANTY

One year parts and labor.

All Nieco equipment is backed by a worldwide sales and service network, with local parts inventories and 24 hour emergency service.

Call us today at **800-643-2656** or e-mail us at **sales@nieco.com**